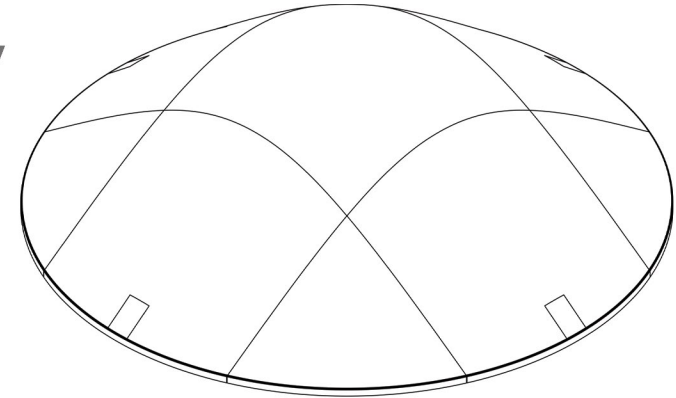
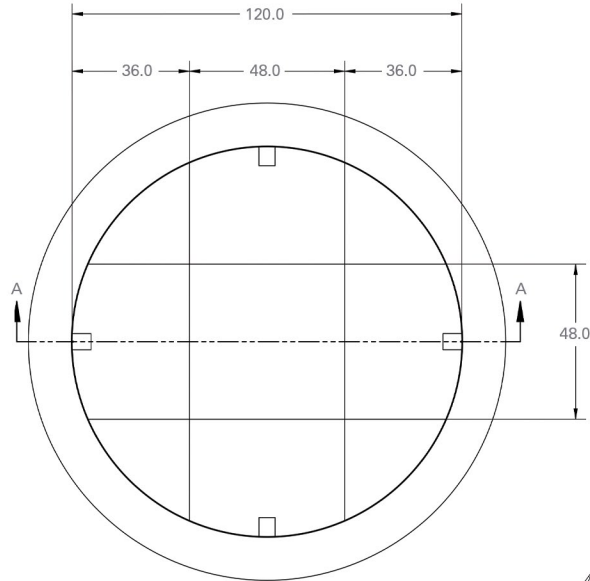


Playground Grass PlayMound

10-foot mound with no tunnel

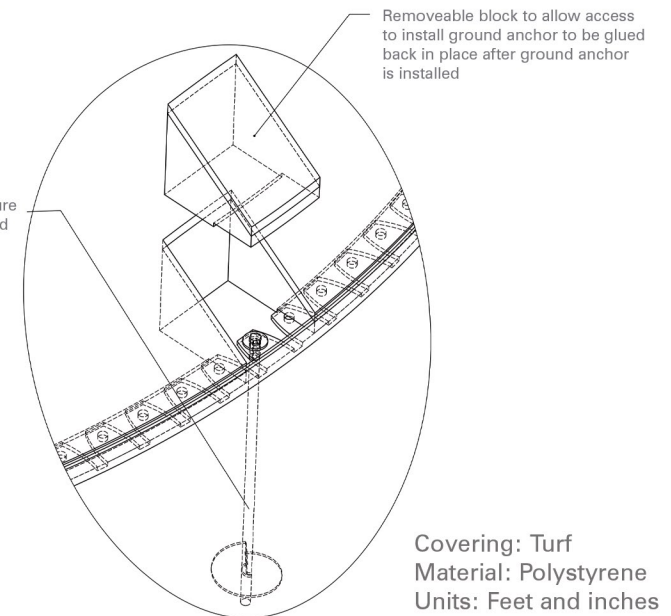
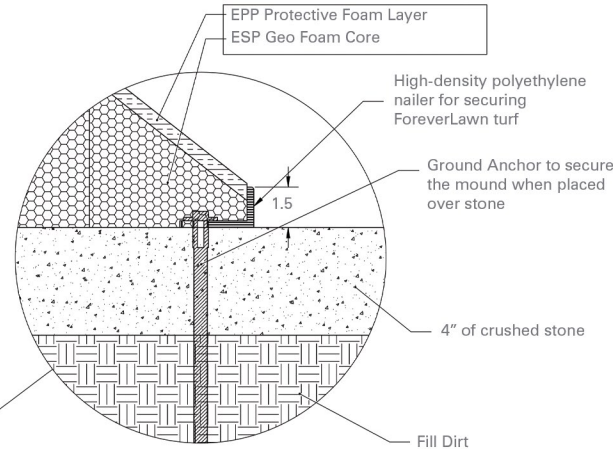
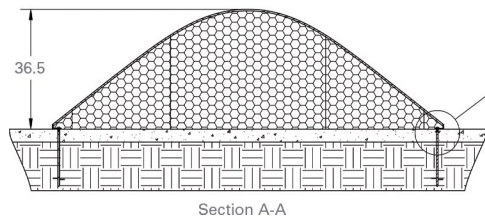


Playground Grass™ by
ForeverLawn®



**Ground anchoring system
for installation over stone**

PlayMound™ Layering System
Patent Pending



866.992.7876 • foreverlawn.com
8007 Beeson St., Louisville, Ohio 44641

Detail	B	02/20
Scale	1:25	
Drawing No.	M1469	